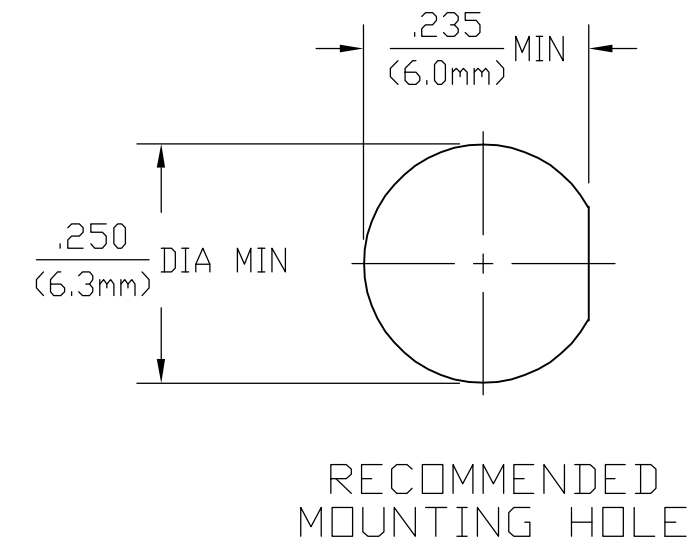
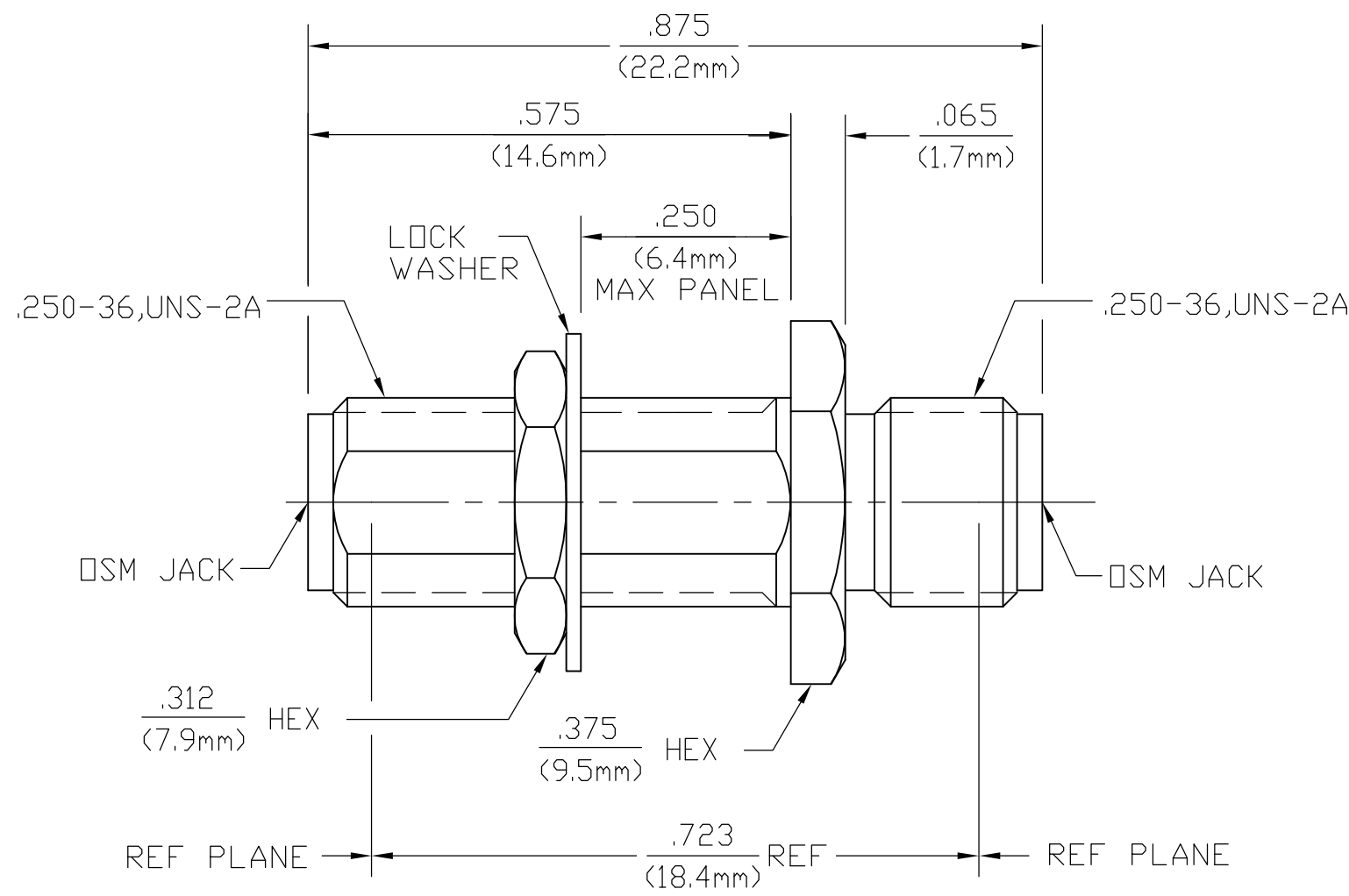


THIS DRAWING IS UNPUBLISHED. RELEASED FOR PUBLICATION
 © COPYRIGHT BY TYCO ELECTRONICS CORPORATION. ALL RIGHTS RESERVED.

LOC	DIST	REVISIONS					
AJ	16	P	LTR	DESCRIPTION	DATE	DWN	APVD
			B	REVISED PER ECO-05-013872	23NOV05	BM	KW



ELECTRICAL		MECHANICAL		ENVIRONMENTAL		HOUSING		MATERIAL		FINISH		PACKAGING		PART NUMBER	
Nominal Impedance (Ohms) 50		Interface Dimensions MIL-STD-348A, Fig. 310.2 BOTH ENDS		TEMPERATURE RATING -65°C TO +125°C		STAINLESS STEEL PER ASTM-A484 AND ASTM-A582, TYPE 303		PASSIVATE PER ASTM-A380		KIT		1054869-3			
Frequency Range (GHz) DC to 18		Recommended Mating Torque N/A		Vibration MIL-STD-202, Method 204, Condition D.		DIELECTRIC TFE FLUOROCARBON PER ASTM-D-1457		N/A		BULK		1054869-1			
Volt Rating (VRMS MAX) @ Sea Level 335		Mating Characteristics:		Shock MIL-STD-202, Method 213, Condition I.		CENTER CONTACT BERYLLIUM COPPER PER ASTM B 196, ALLOY C17300, CONDITION H		GOLD PLATE PER MIL-G-45204 OVER COPPER PLATE PER MIL-C-14550		PACKAGING		PART NUMBER			
VSWR 1.05 +.005		Insertion (MAX Lbs) 3.0		Thermal Shock MIL-STD-202, Method 107, Condition C, except HIGH TEMP SHALL BE +115°C.		COMPONENT		MATERIAL		FINISH					
Insertion Loss (dB MAX) .03 √f(GHz)		Withdrawal (MIN Oz) 1.0		Moisture Resistance MIL-STD-202, Method 106		THIS DRAWING IS A CONTROLLED DOCUMENT.		DWN E.F.HOYLE 1/25/89		Tyco Electronics Corporation Harrisburg, PA 17105-3608					
RF Leakage (dB MIN) 60 @ 2 to 3 GHz		Force to Engage and Disengage (In-Lbs MAX) 2.0		Corrosion - MIL-STD-202, Method 101, Condition B, 5% salt spray		DIMENSIONS: INCHES[mm]		CHK L.ROSS 2/10/89		NAME		OSM BULKHEAD FEEDTHROUGH JACK TO JACK ADAPTER			
Corona, 70,000 Ft (VRMS MIN) 250		Center Contact Captivation Axial (Lbs) 6.0				TOLERANCES UNLESS OTHERWISE SPECIFIED:		APVD 2/22/89		PRODUCT SPEC					
Dielectric Withstanding Voltage (VRMS MIN) @ Sea Level 1,500		Radial (In-Oz) 4.0				0 PLC ± -		PRODUCT SPEC		APPLICATION SPEC					
Contact Resistance (Milliohms MAX) Center Contact 4.0		Cable Retention Axial Force (Lbs) N/A				1 PLC ± -		WEIGHT		SIZE		CAGE CODE		DRAWING NO	
Outer Contact 2.0		Torque (In-Oz) N/A				2 PLC ± -		CUSTOMER DRAWING		A3		00779		G-1054869	
RF High Potential @ Sea Level (VRMS MIN @ 5 MHz) 670		Weight (Grams) 3.8				3 PLC ± .005		SCALE 5:1		SHEET 1 of 1		REV B			
I.R.(Megohms MIN) 5,000						4 PLC ± -									
						ANGLES ± 1°									
						FINISH									
						-									